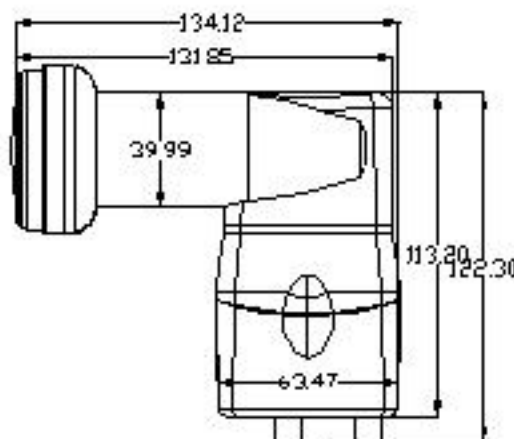
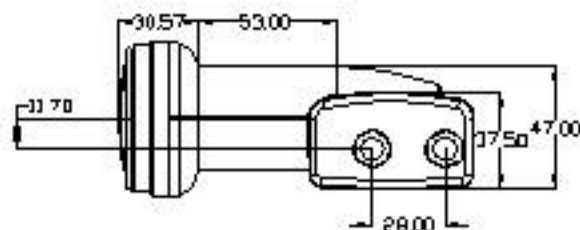


UNIVERSAL TWIN LNB DC-202 Superior



SPECIFICATIONS

	LOW BAND	HIGH BAND
IF frequency range	10.7~11.7GHz	11.7~12.75GHz
L.O. frequency	9.75GHz	10.60GHz
O/P frequency	950 ~1950MHz	1100 ~2150MHz
L.O. stability	+/-3MHz (-400~+600)	
L.O. Phase noise	<-50 dBc @ 1KHz offset	
	<-80 dBc @ 10KHz offset	
	<-95 dBc @ 100KHz offset	
Noise figure @ 250	0.8dB (Typ.)	0.8dB (Typ.)
Cross-pol Iso	25dB(Typ.)	
Image rejection	40dB(Min.)	
Output VSWR	<2.5:1	
Conversion gain	50 ~ 60dB	
Gain flatness	+/-0.5dB/26 MHz, 8dB over each IF band	
Output spurious	<-60dBm	
Current consumption	240mA (280 mA Max.)	
LOW/HIGH band switching	Low Band: 0kHz	
	High Band: 22kHz +/- 4kHz	
Polarity Switching Voltage	Low Band: 10.5 – 14.0 V@VP	
	High Band: 16.0 – 20.0@HP	
Reflector type	Optimized for offset feed dish with F/D: 0.45 ~ 0.7	
Working temp/humidity	-300~+600 0 ~100%	
Output connector	75 OHMS F-female*2	